



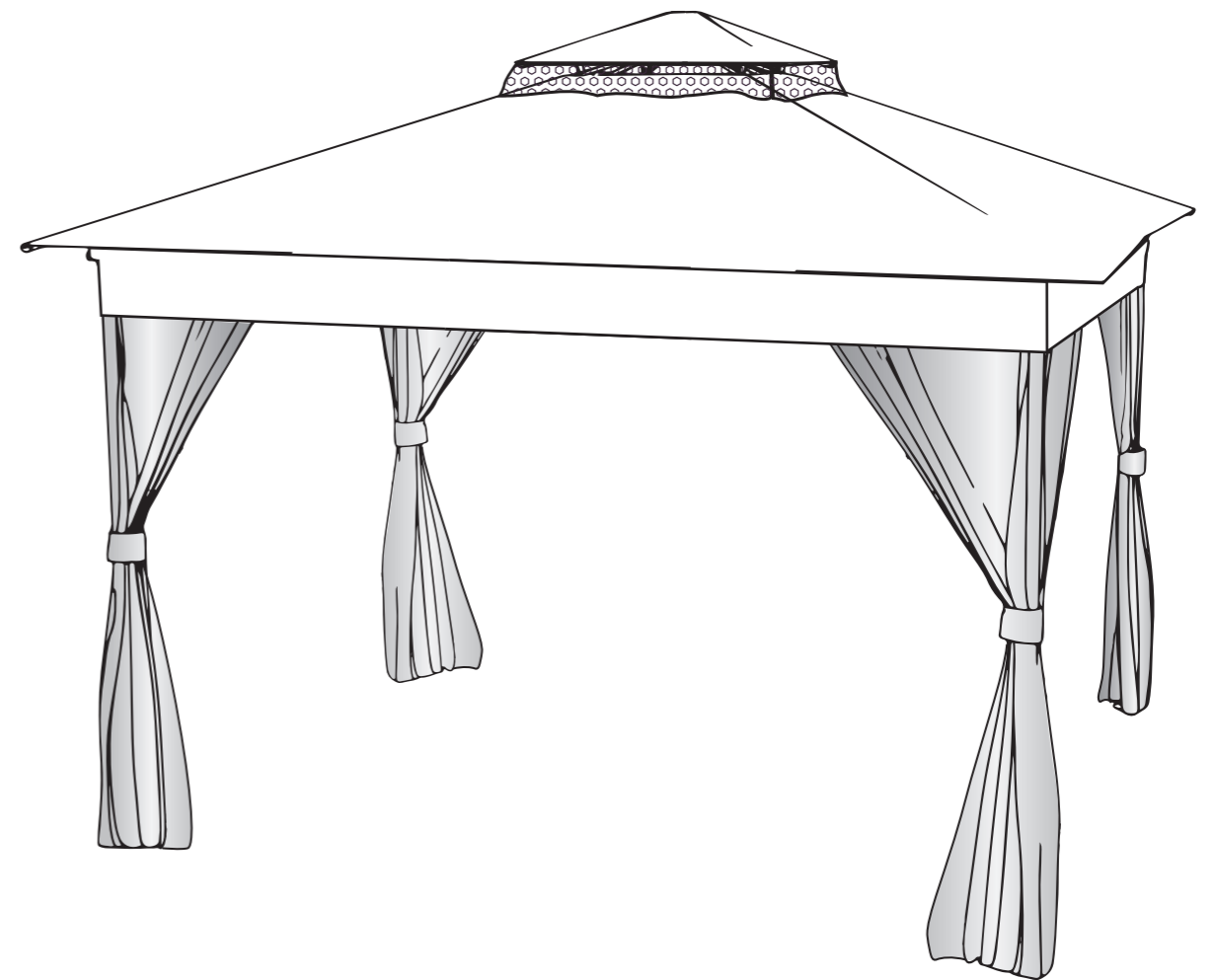
OUTPLAY THE ORDINARY

by Lausaint Home



PERMANENT PATIO GAZEBO 10*10FT

OUTPLAY THE ORDINARY



V1.0

customerservice@lausaint.com

INSTRUCTION BOOK



ATTENTION 02-03

COMPONENT LIST 04-05

HARDWARE LIST 06

BASE FRAME INSTALLATION 08-13

TOP FRAME ASSEMBLY 14-16

ASSEMBLY OF ROOF AND CURTAINS 17-23

STRENGTHEN FRAME STABILITY 24-26

Thank you for purchasing this product. We've created these easy-to-follow instructions to ensure you spend your time enjoying the product instead of putting it together. But, if you need more information than what is provided here, please visit lausaint.com, and refer to the Guides & Documents tab on the product's page.

If you have any questions or problems, please contact us through this email customerservice@lausaint.com

PREPARATION

Please read and understand this entire manual before attempting to assemble, operate or install the product.

PREPARATION

The product is packed in one box to ship.

Before assembly, make sure all parts are present. Compare parts with package contents list and hardware contents list.

If any part is missing or damaged, do not attempt to assemble the product.

Estimated Assembly Time: 1 hour

WARNING!

- Tighten each bolt firmly and properly. Do not completely tighten the screws until all screws are started.
- Some parts may contain sharp edges. Wear protective gloves as necessary.
- Children under the age of 16 should not be engaged in the assembly, removal or disassembly of the product.
- Children under the age of 10 should be supervised by a competent adult while using this furniture.
- Please keep children out of the assembly area during assembly.
- This set is heavy, and may require two adults for safe assembly.
- Never use this product as support. Do not shake, lean, or climb on the product at any time.

CARE AND MAINTENANCE

- Before using, clean the product completely with a soft, dry towel.
- When not in use, wipe away dirt or loose objects, wash with a mild solution of soap and water, rinse and dry completely.
- Do not use strong detergents or abrasive cleaners.
- Store the product in a cool, dry location away from sunlight.

CAUTION









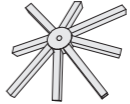
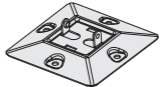
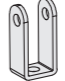

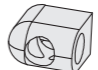
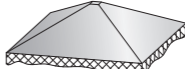
- Retain these instructions for future reference.
- Paint on this product might peel off if it is hit or used improperly.
- Use and carry this item with care and apply touch-up paint (not included) when necessary.
- This outdoor furniture is designed and made for personal non-commercial use.
- This item should not be used as a toy or a tool.
- Do not locate the product near any heat source.

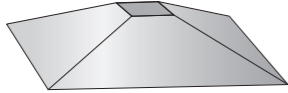
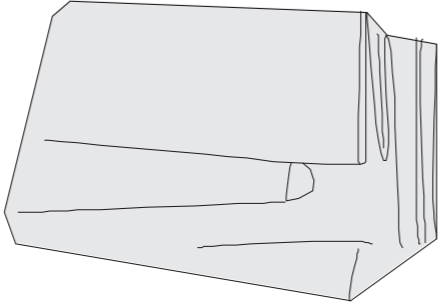
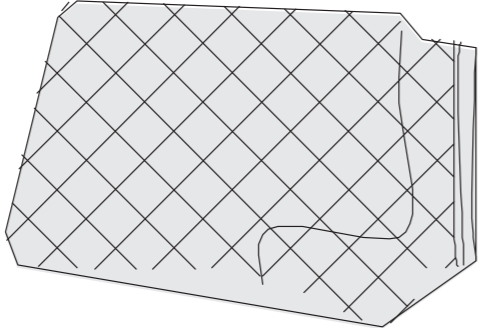
WARRANTY

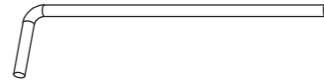

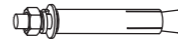
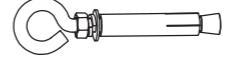







This warranty is extended to the original purchaser and applies to defects in materials and workmanship of your patio furniture provided your furniture is maintained with care and used only for personal, residential purposes.

The frame is warranted to be free from defects in material or workmanship for one (1) year.

The fabric is insured for 1 year against defects in material or workmanship.

PARTS #	QTY	DESCRIPTION
A	4	
B1	4	
B2	4	
C1	4	
C2	4	
D1	4	
D2	8	
E	8	
F	1	
G	4	
H	8	
U	4	
J	16	
K	1	

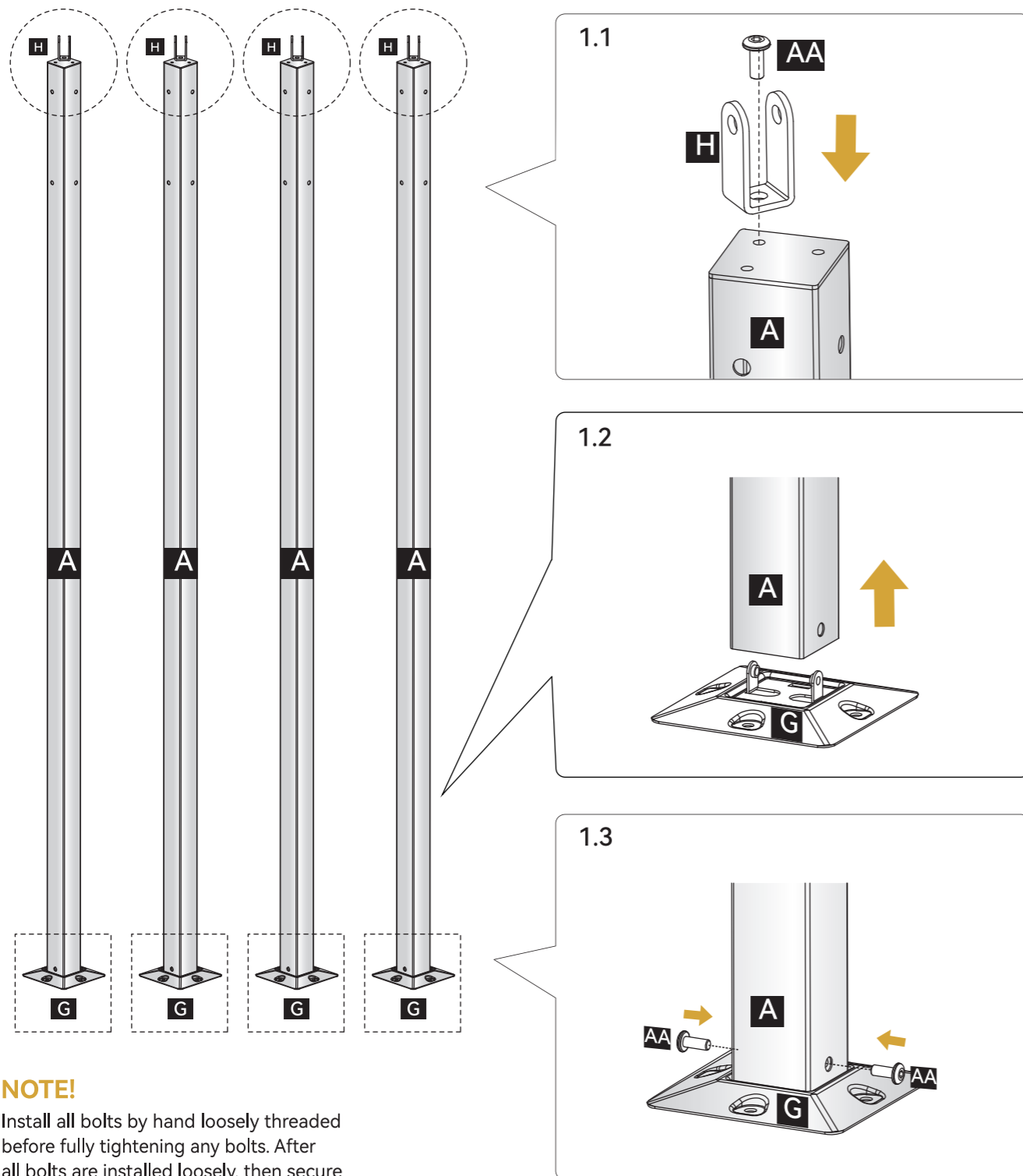
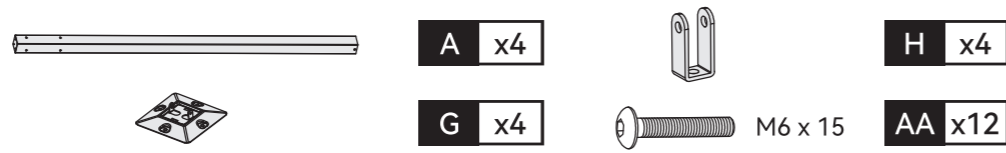
PARTS #	QTY	DESCRIPTION
L	1	
M	4	 Privacy Curtain
N	4	 Mosquito Mesh

PARTS #	QTY	DESCRIPTION
T	8	
P	4	
Q	8	
R	4	
S	4	
AA	56+1	 M6 x 15
BB	8+1	 M6 x 30
CC	16+1	 M6 x 35
DD	8+1	 M6
EE	1	
FF	1	

STEP

01

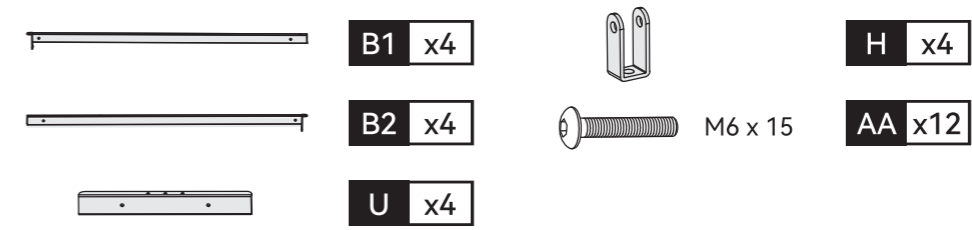
BASE FRAME INSTALLATION



NOTE!

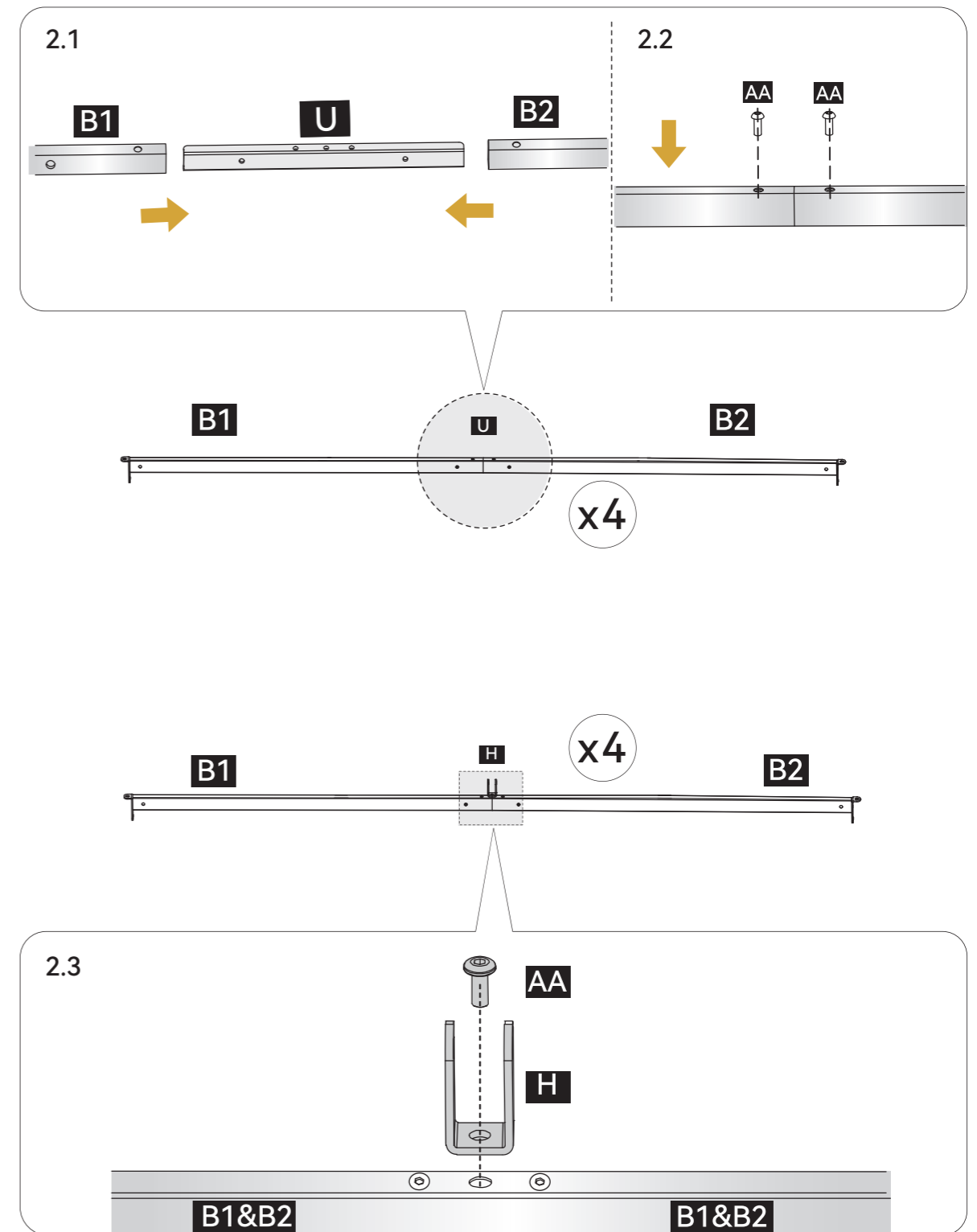
Install all bolts by hand loosely threaded before fully tightening any bolts. After all bolts are installed loosely, then secure the bolts before moving on to the next step.

BASE FRAME INSTALLATION



STEP

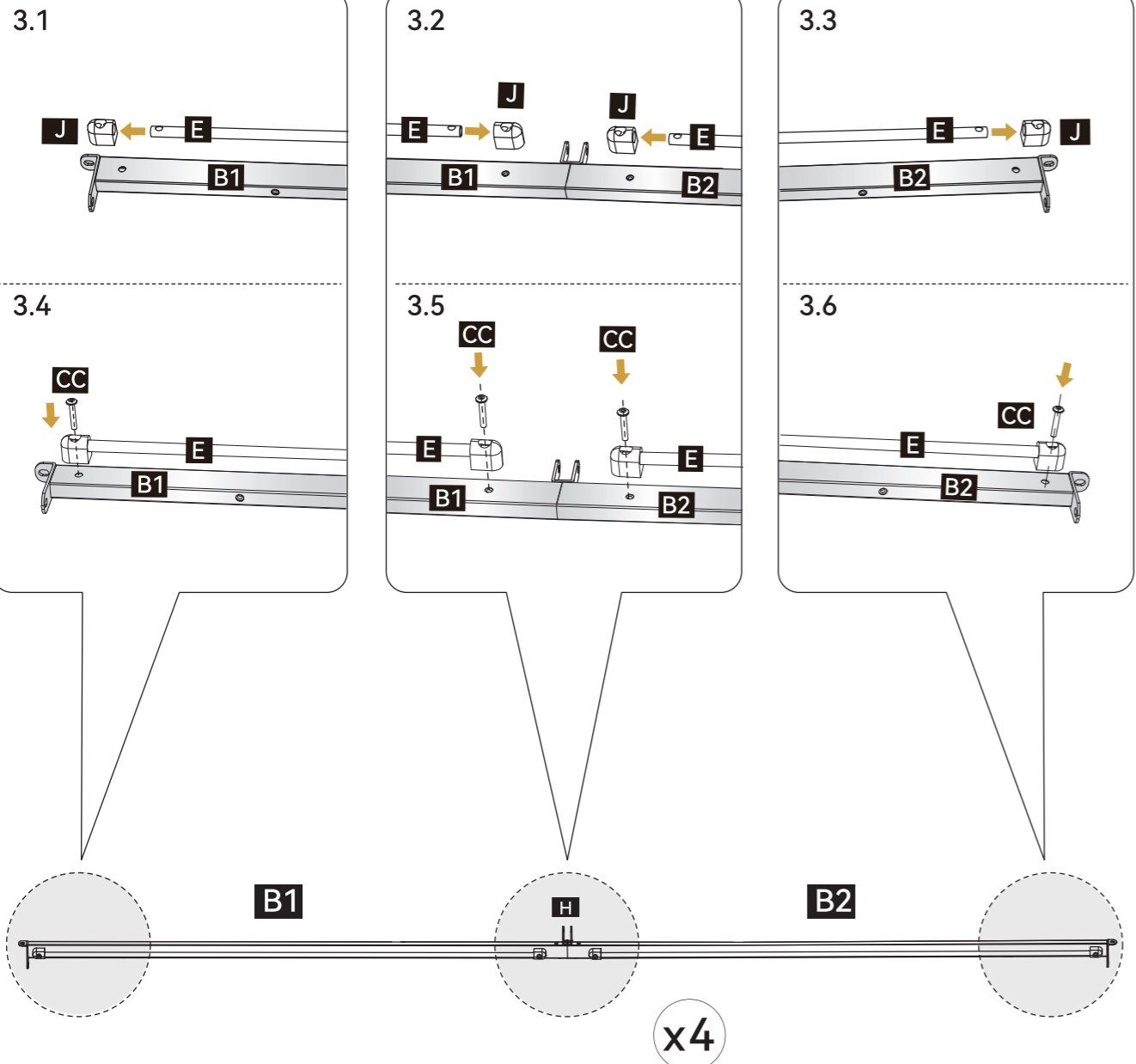
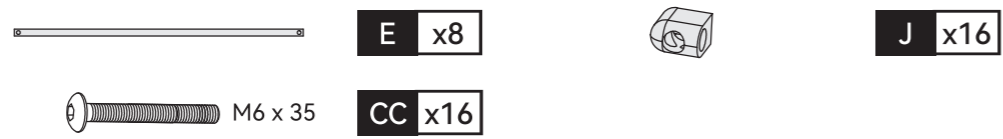
02



STEP

03

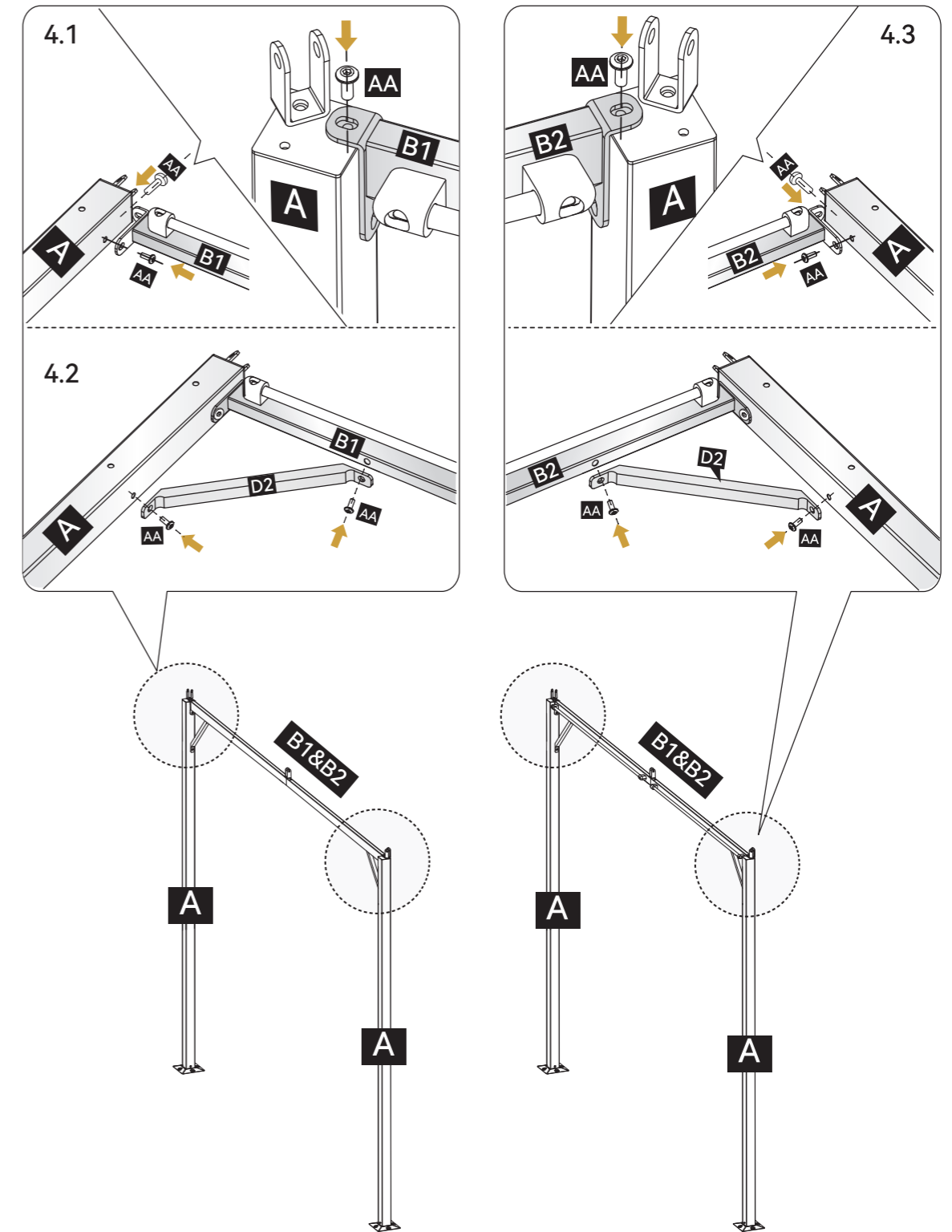
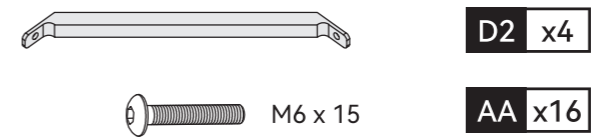
BASE FRAME INSTALLATION



BASE FRAME INSTALLATION

STEP

04



05

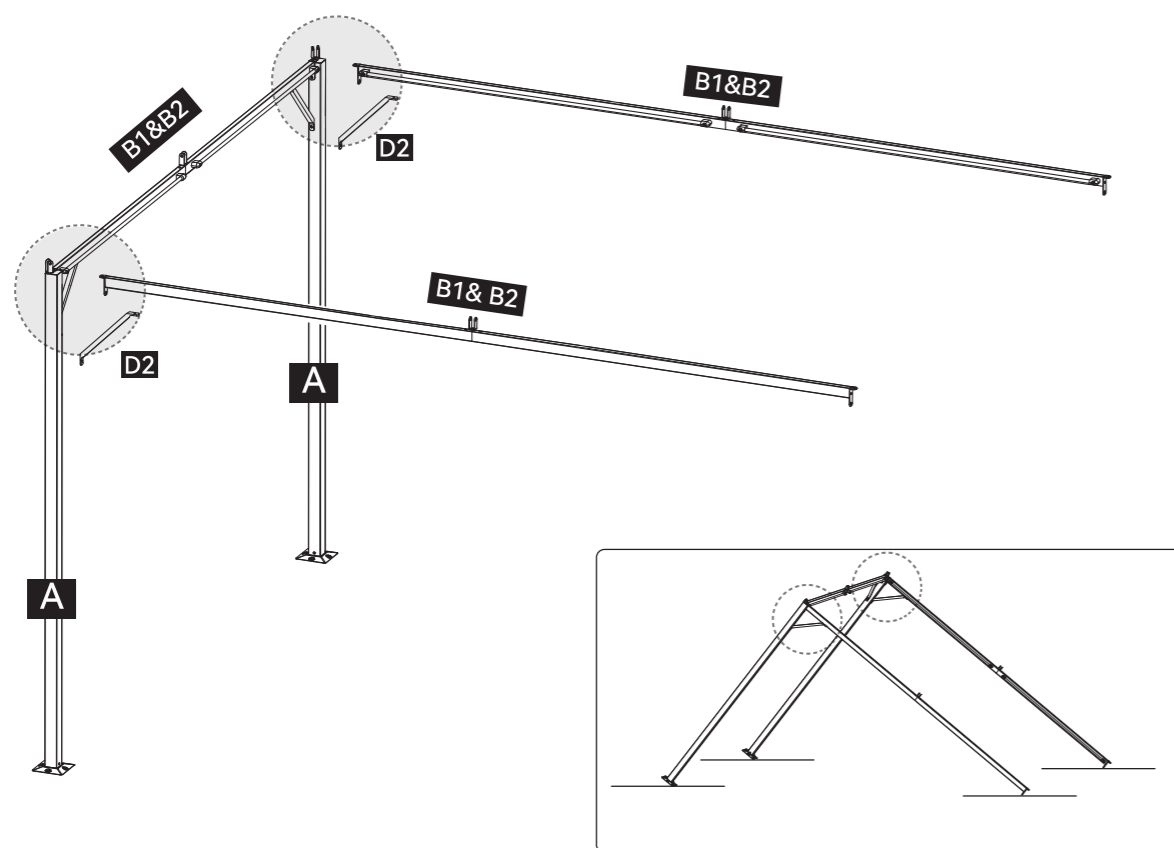
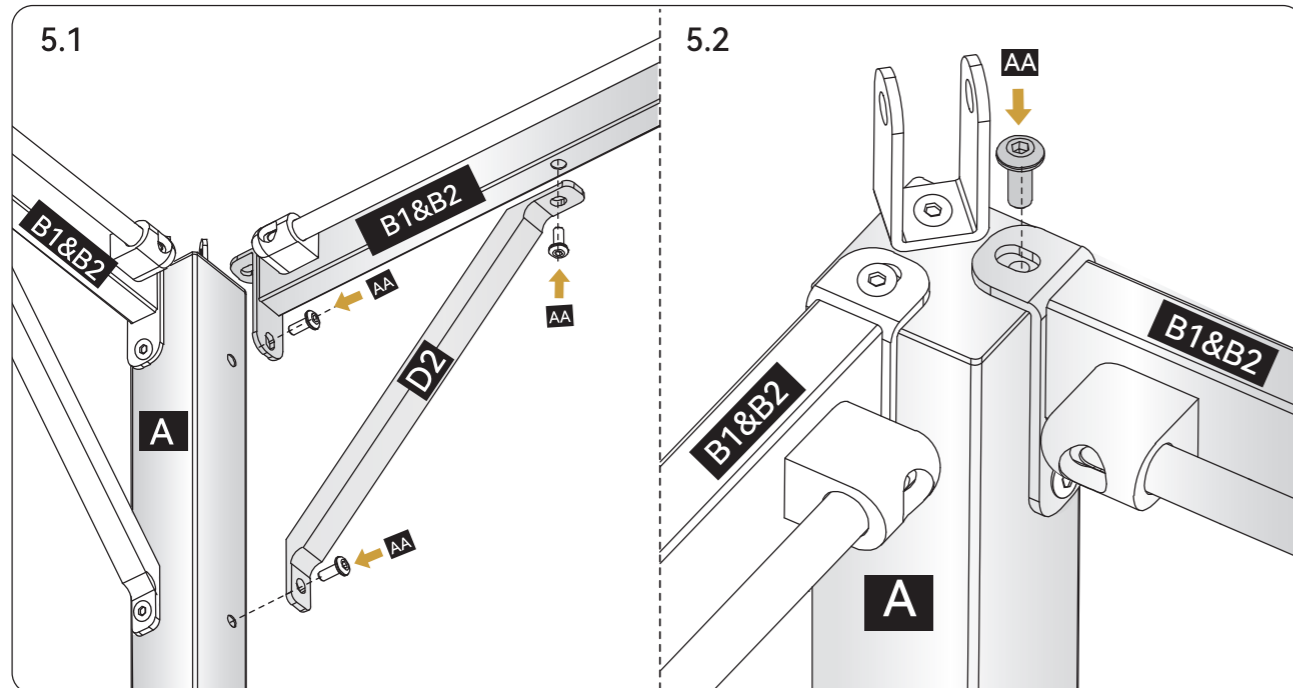
BASE FRAME INSTALLATION



D2 x2



AA x8



06

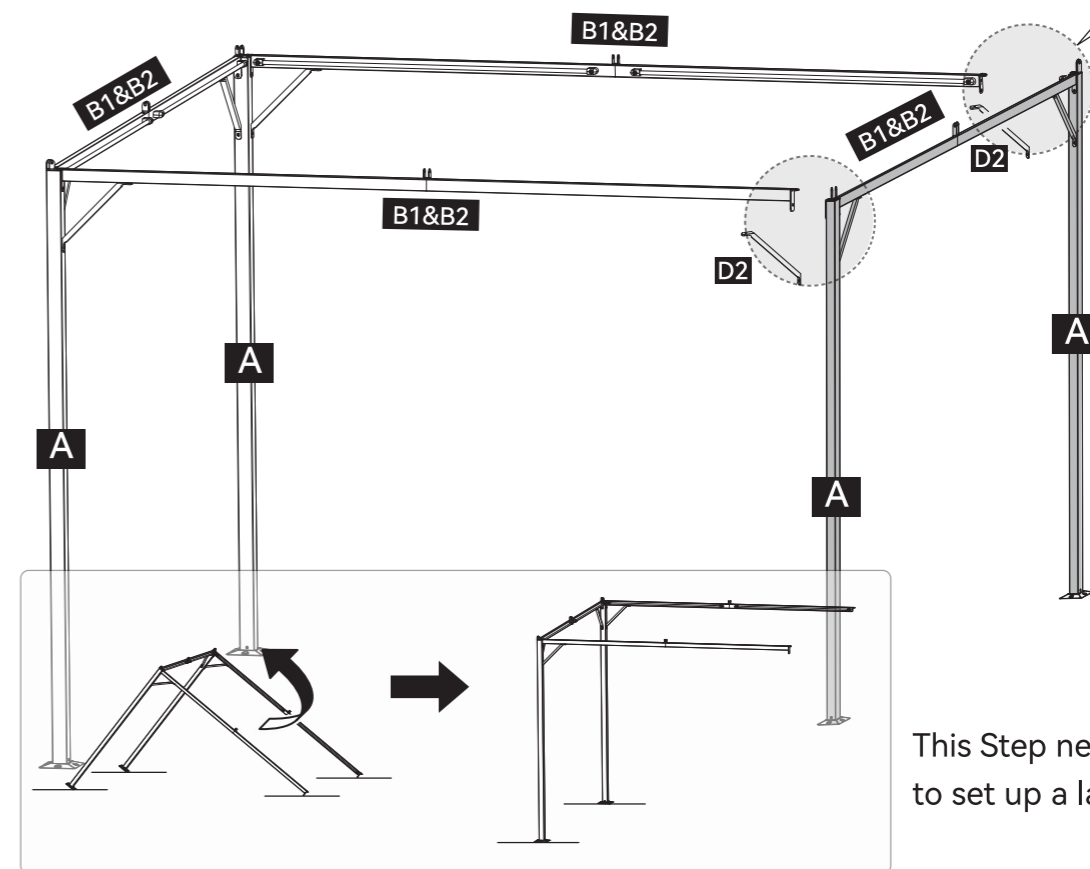
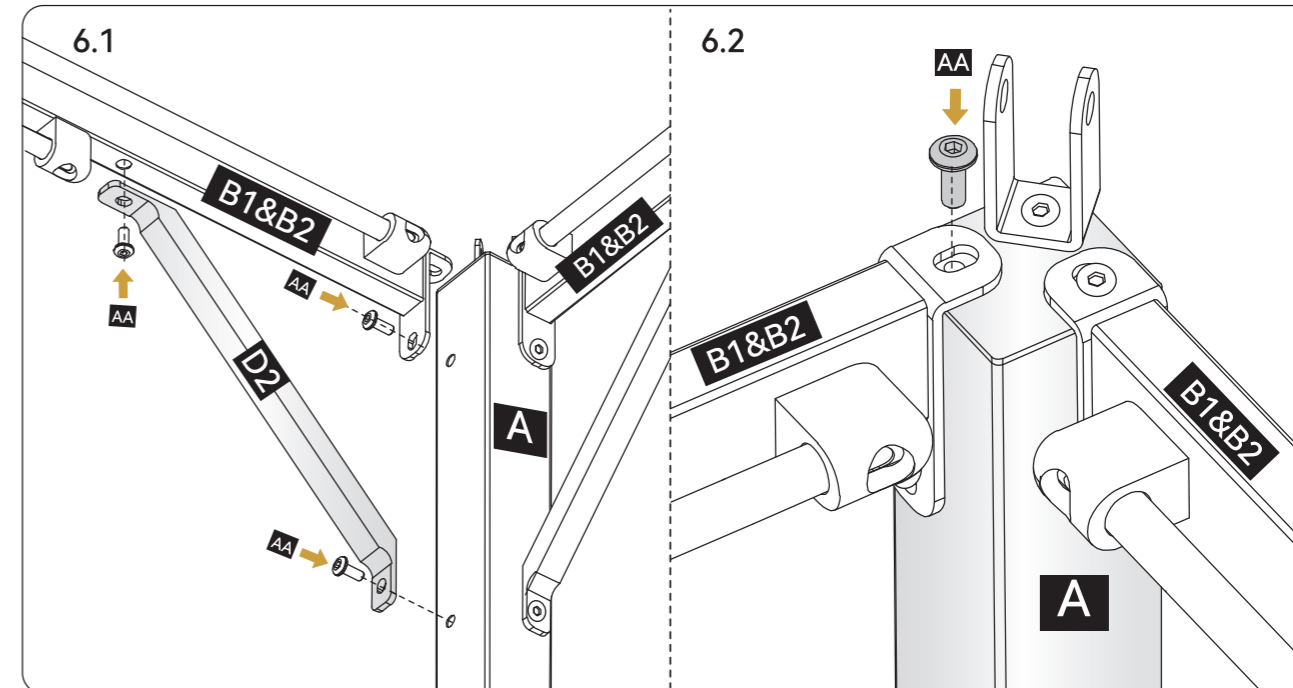
BASE FRAME INSTALLATION



D2 x2



AA x8

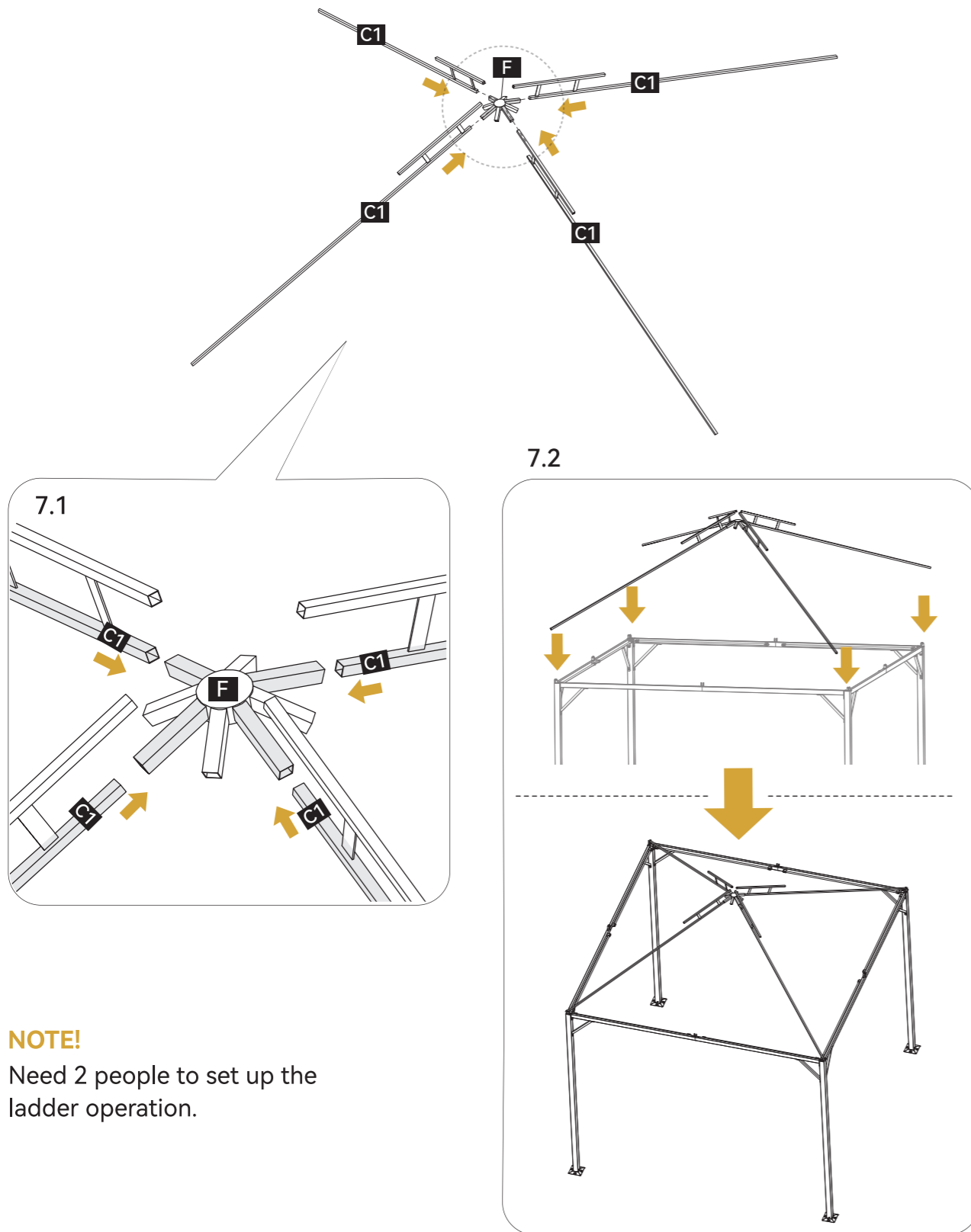
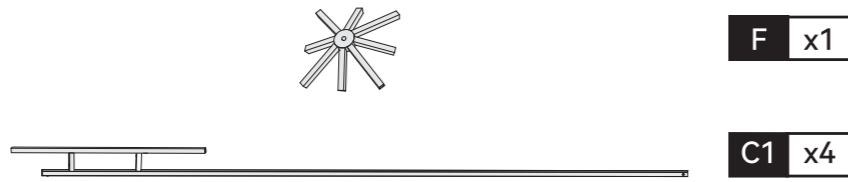


This Step needs 2-3 people to set up a ladder to operate

STEP

07

ASSEMBLY OF ROOF AND CURTAINS

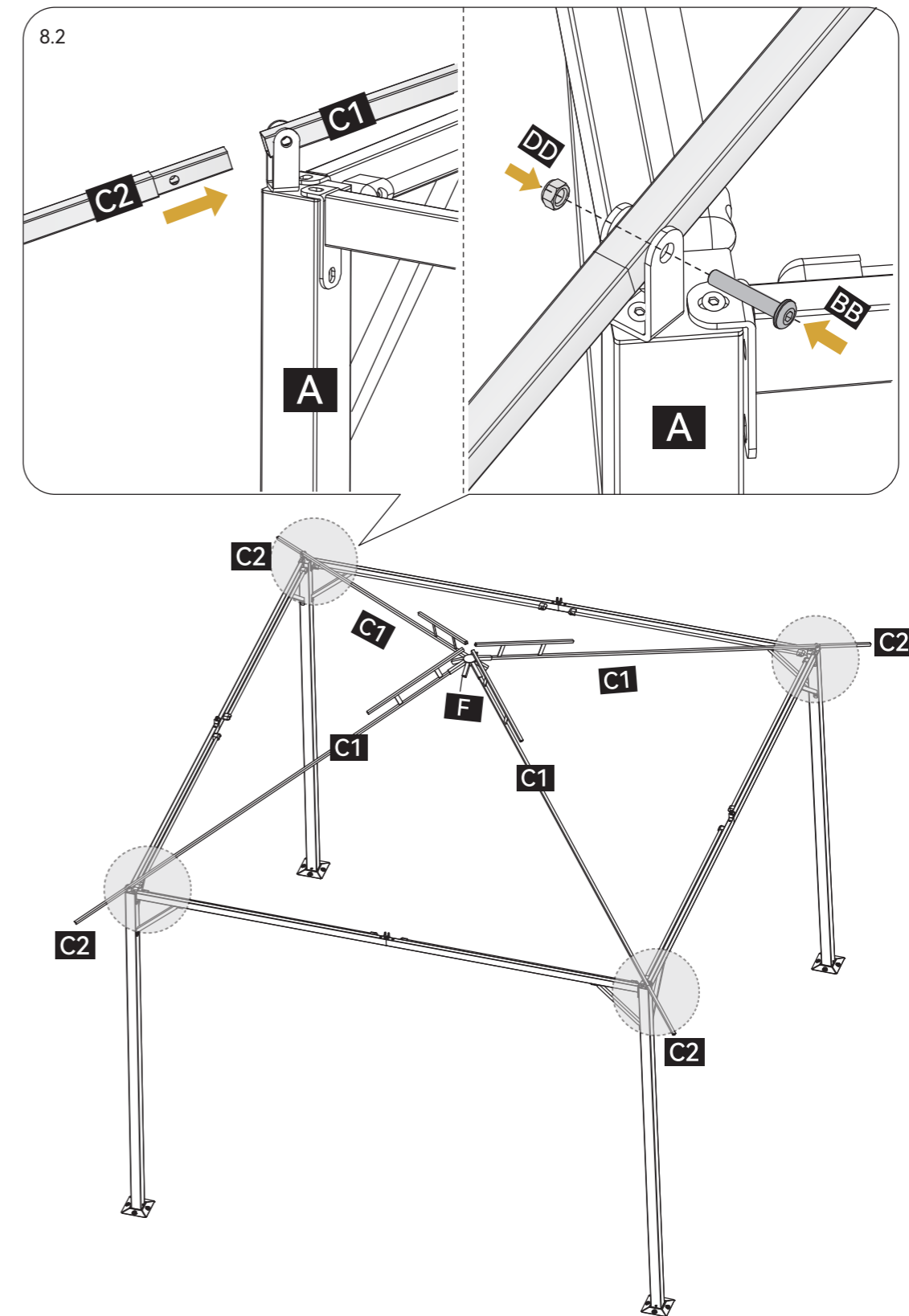
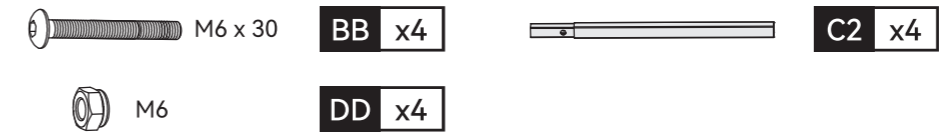


NOTE!
Need 2 people to set up the ladder operation.

ASSEMBLY OF ROOF AND CURTAINS

STEP

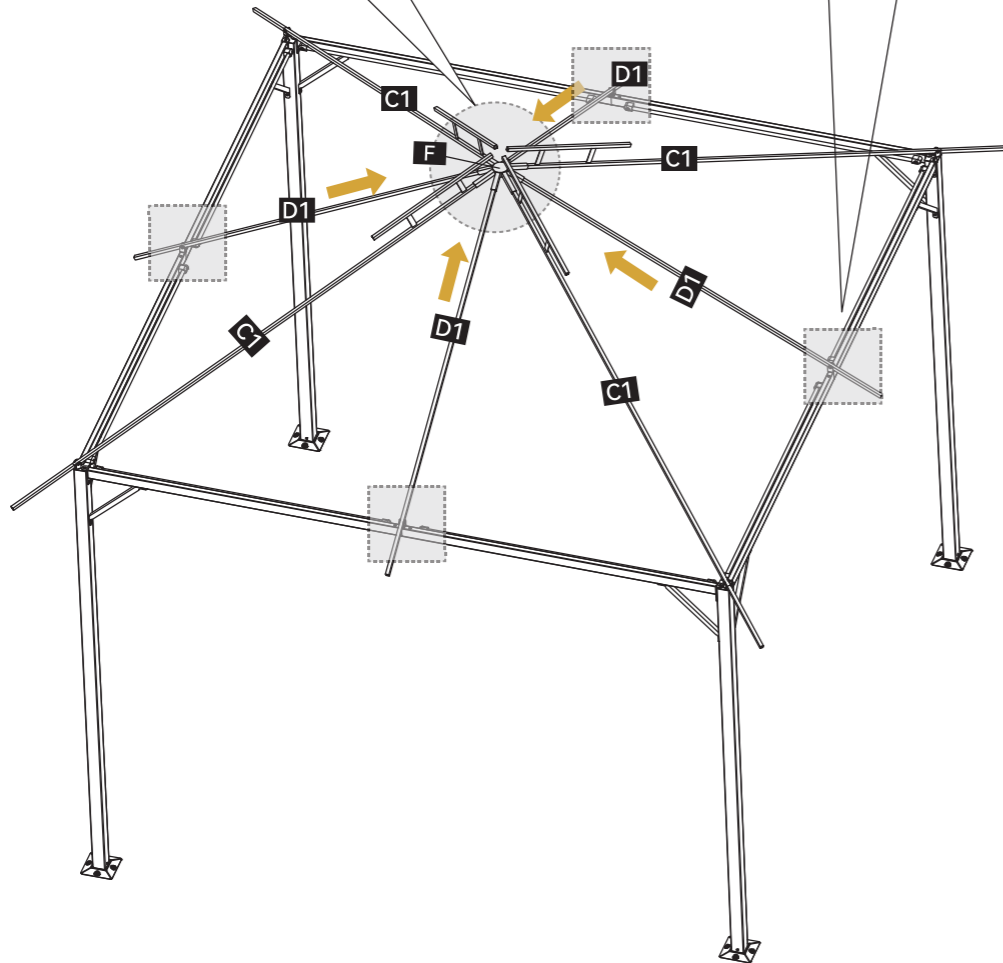
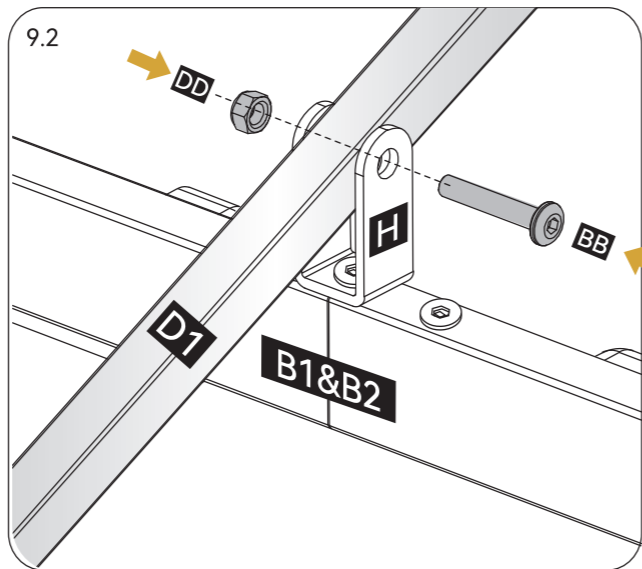
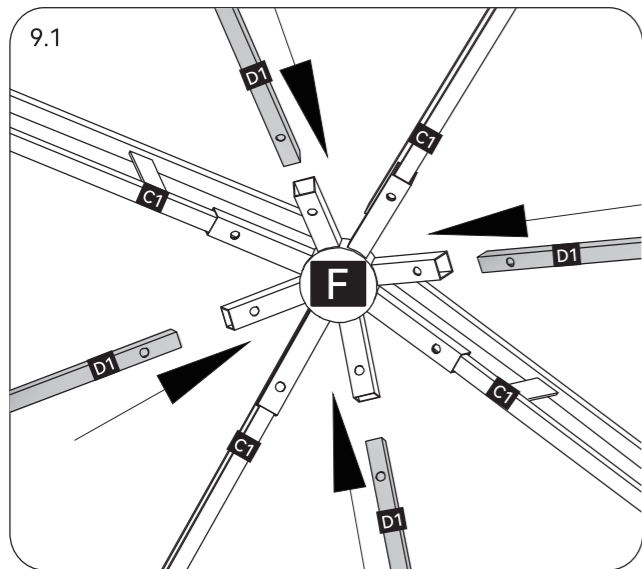
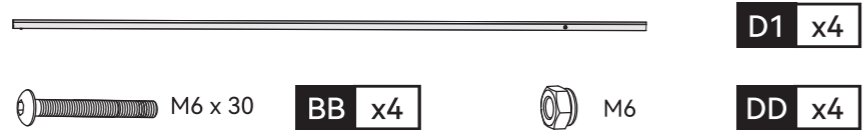
08



STEP

09

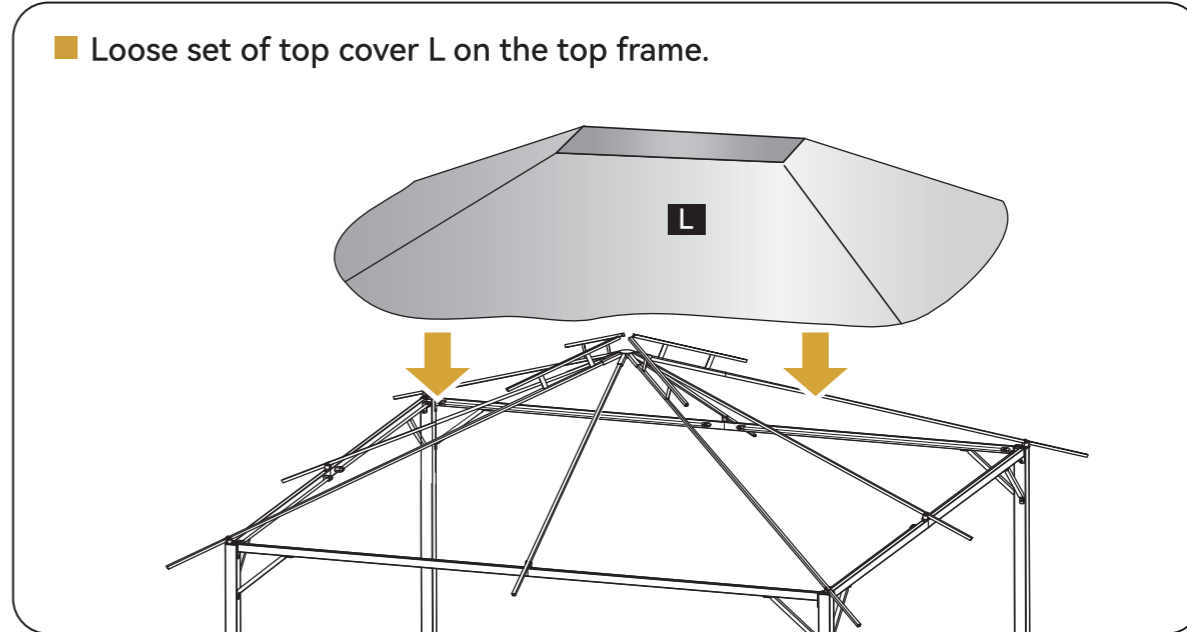
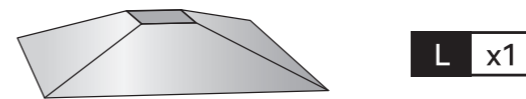
ASSEMBLY OF ROOF AND CURTAINS



ASSEMBLY OF ROOF AND CURTAINS

STEP

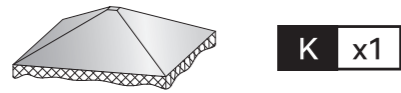
10



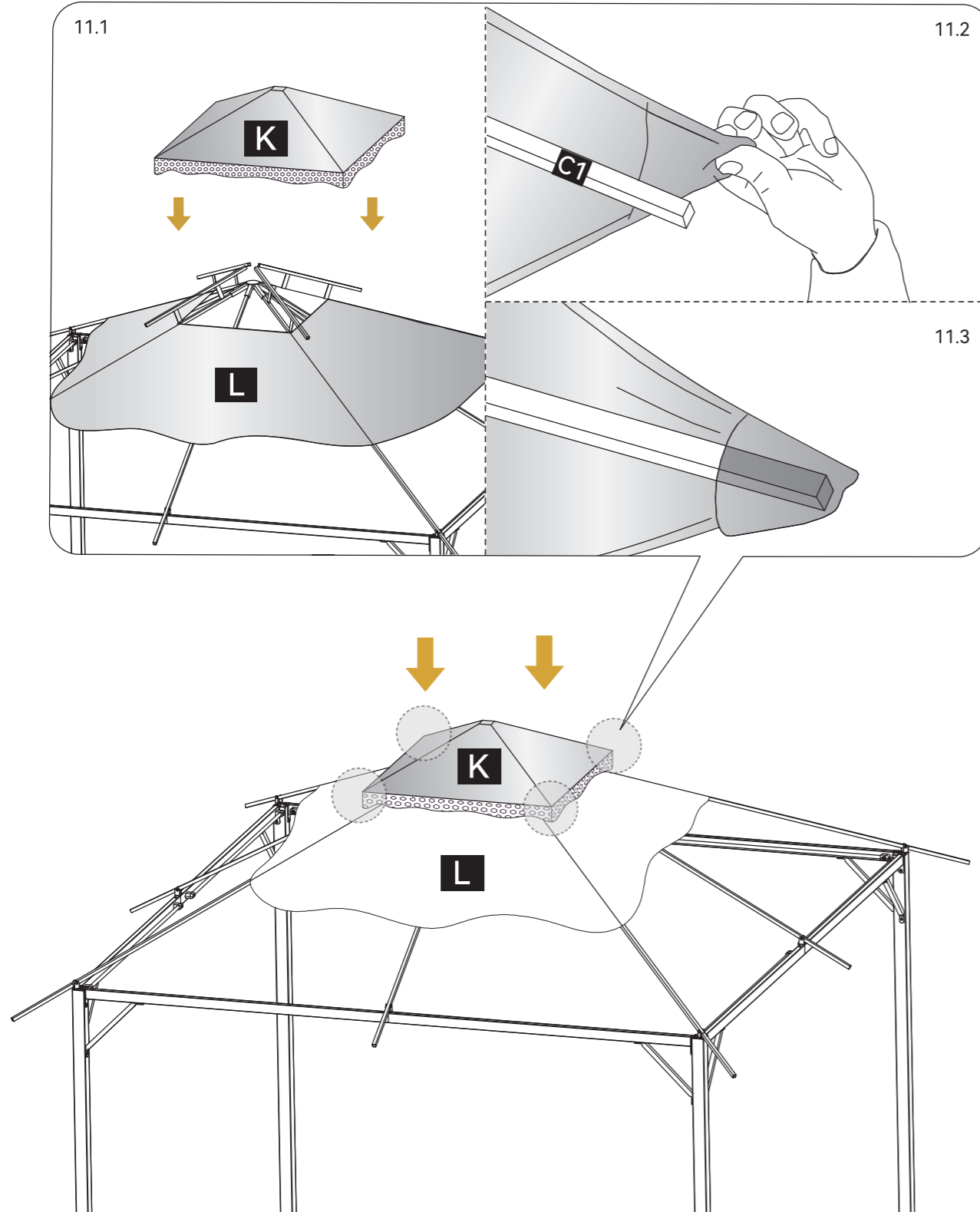
STEP

11

ASSEMBLY OF ROOF AND CURTAINS



■ Set the small top cover K over the top frame.

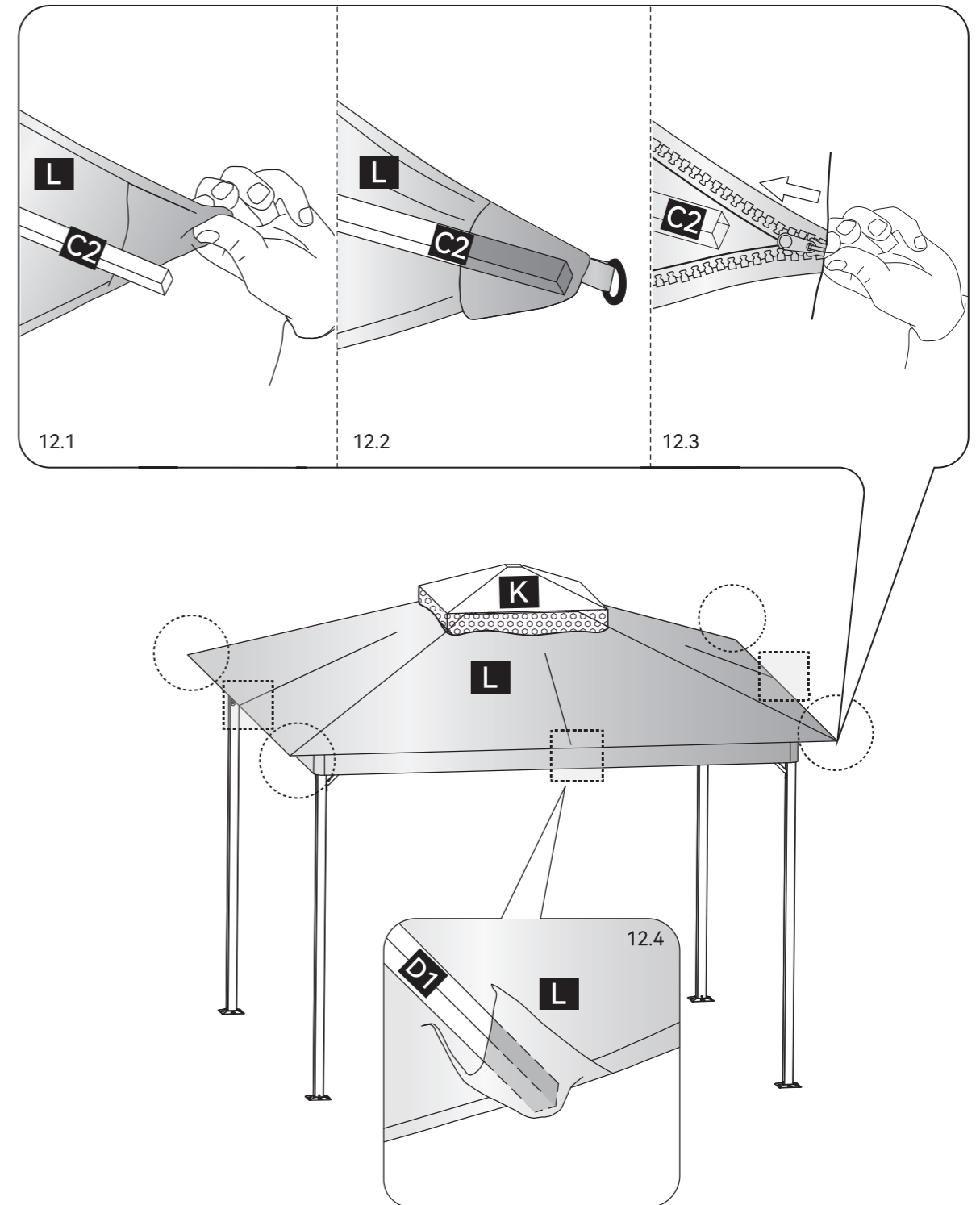


ASSEMBLY OF ROOF AND CURTAINS

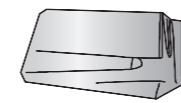
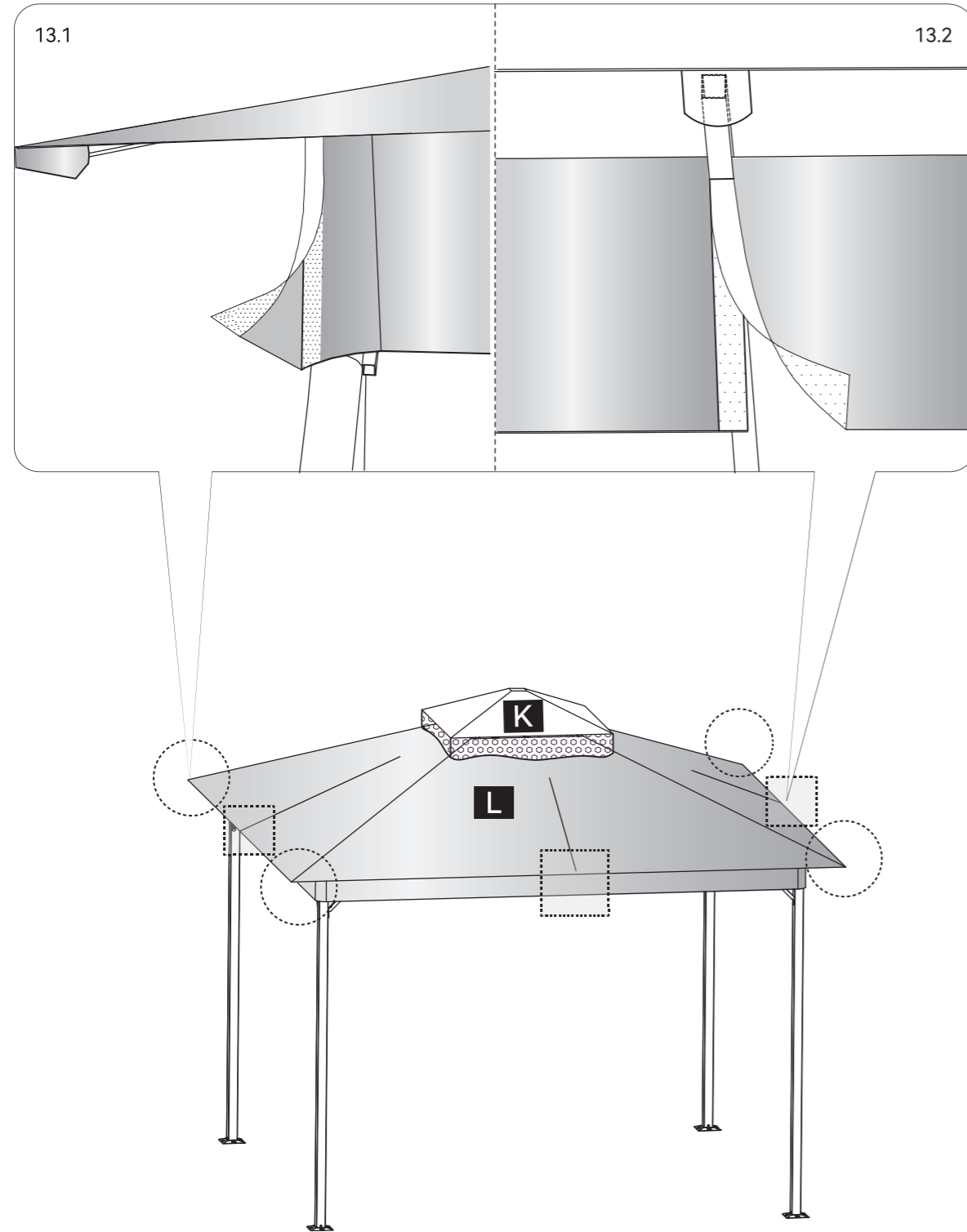
STEP

12

■ Set the top 4 corners fixed to the frame.

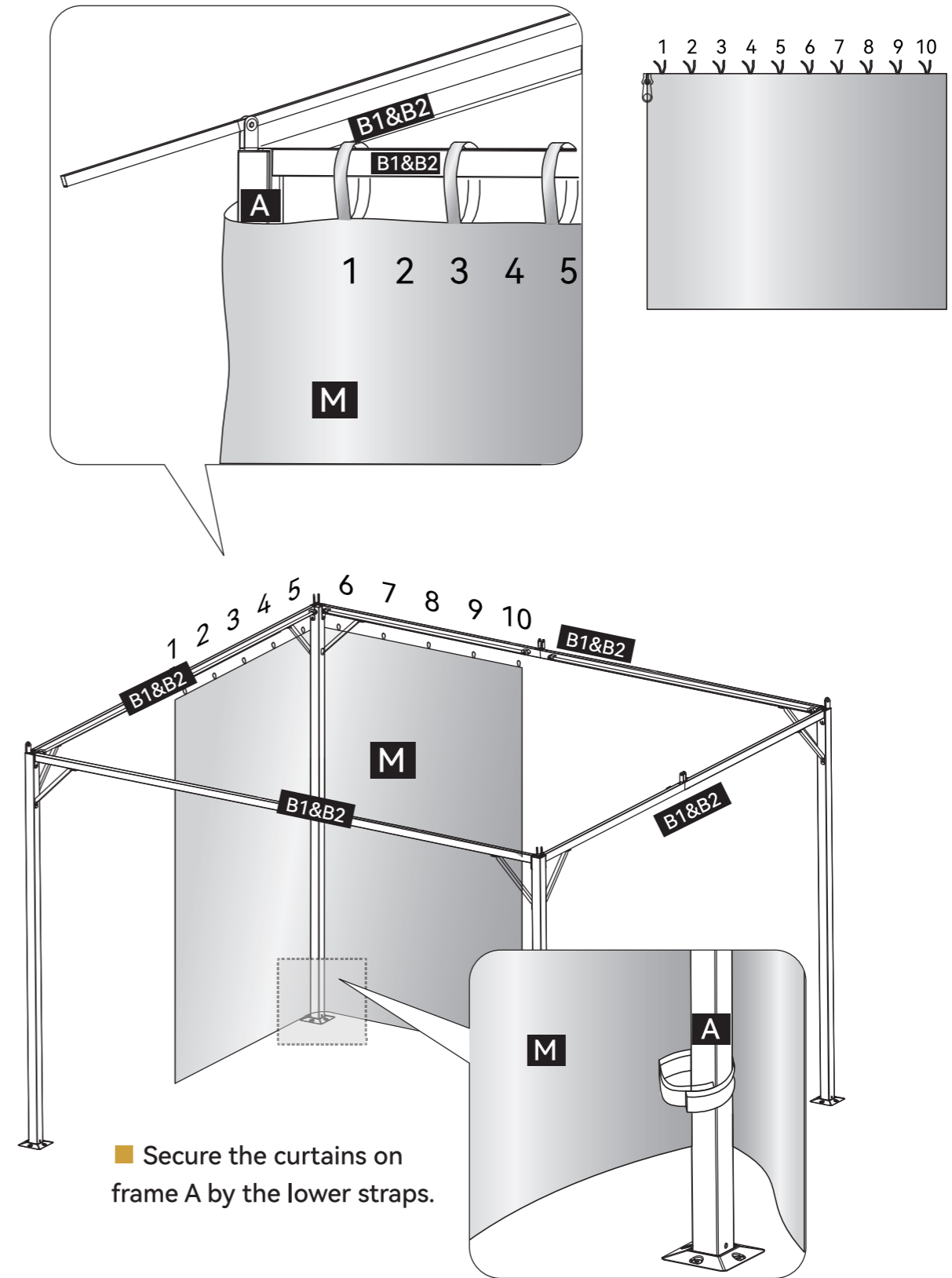


■ Set the top 4 sides fixed to the frame.



Privacy Curtain

M x4

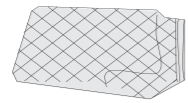


■ Secure the curtains on frame A by the lower straps.

STEP

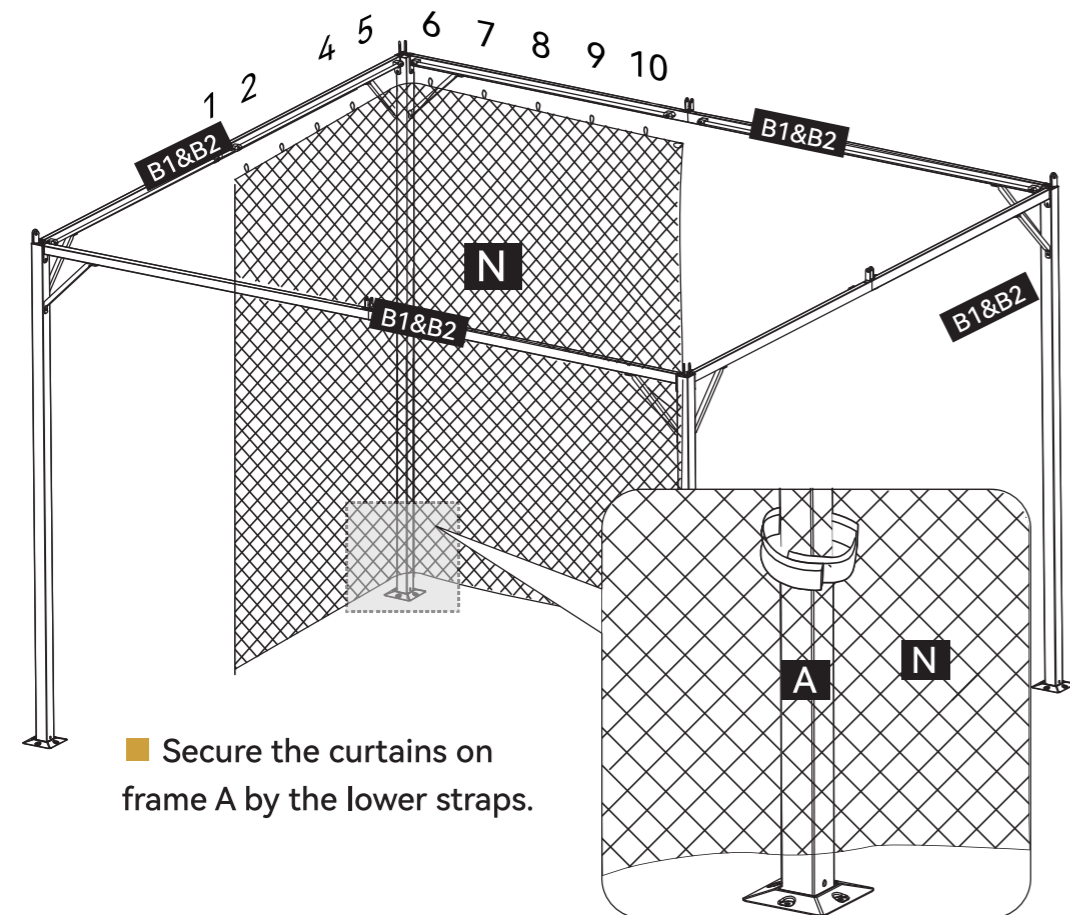
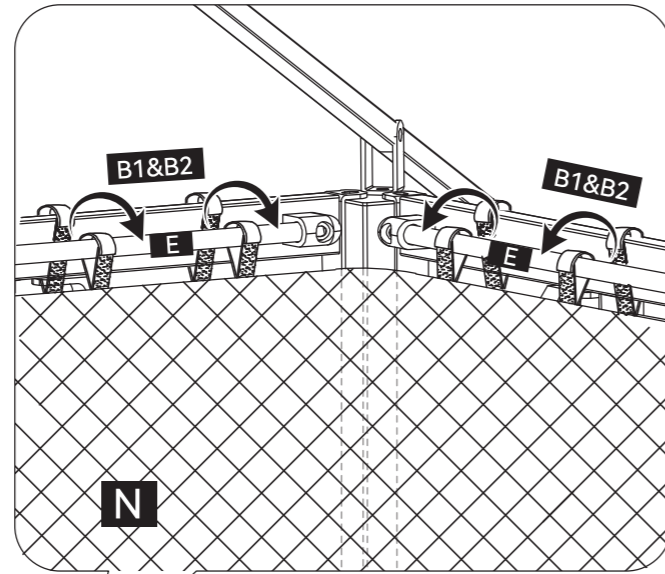
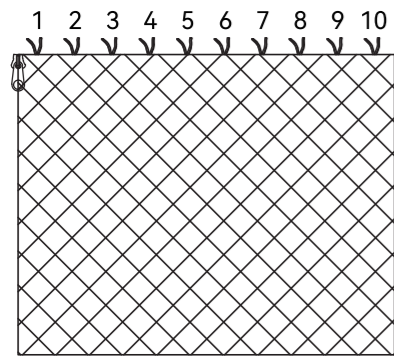
15

ASSEMBLY OF ROOF AND CURTAINS



Mosquito Mesh

N x4

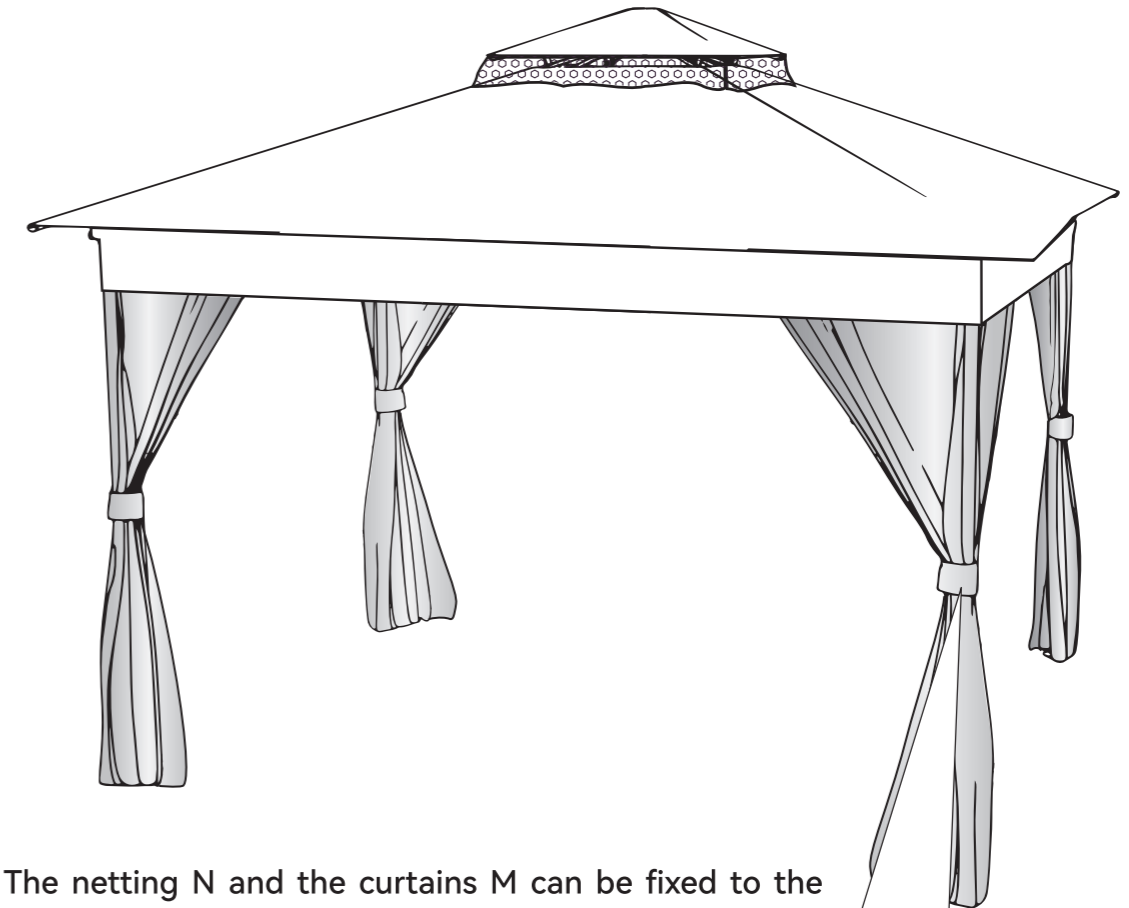


■ Secure the curtains on frame A by the lower straps.

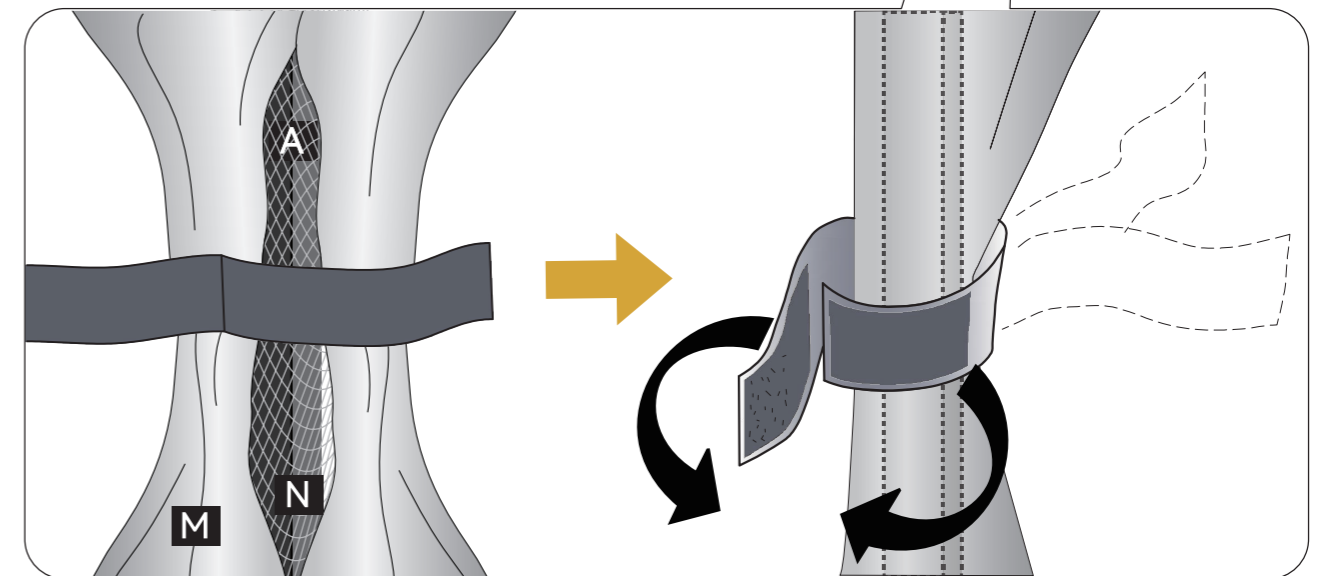
ASSEMBLY OF ROOF AND CURTAINS

STEP

16

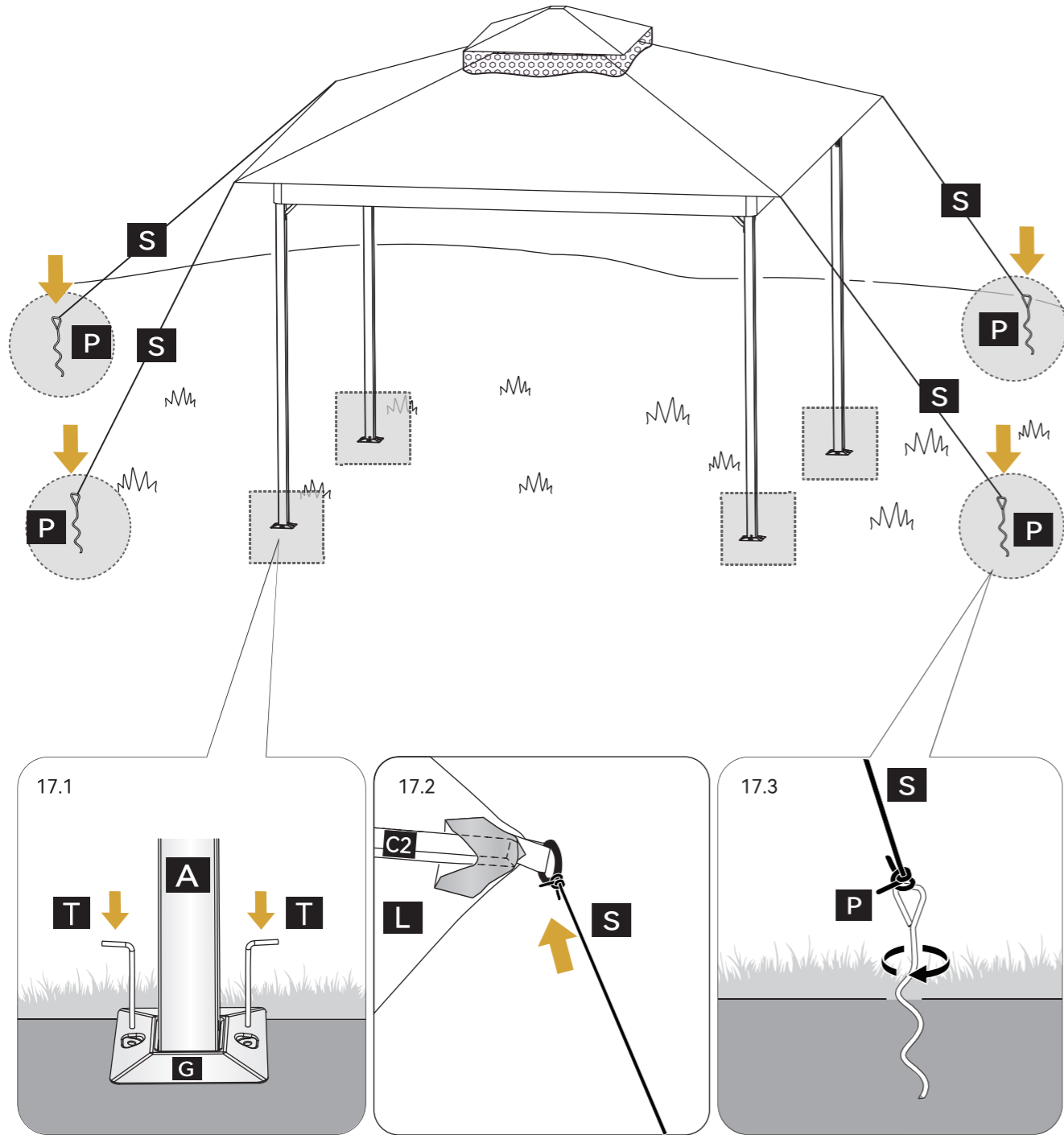
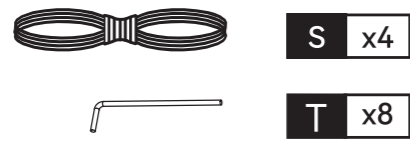


■ The netting N and the curtains M can be fixed to the frame A by the straps when the net/curtains are not using.



STEP 17

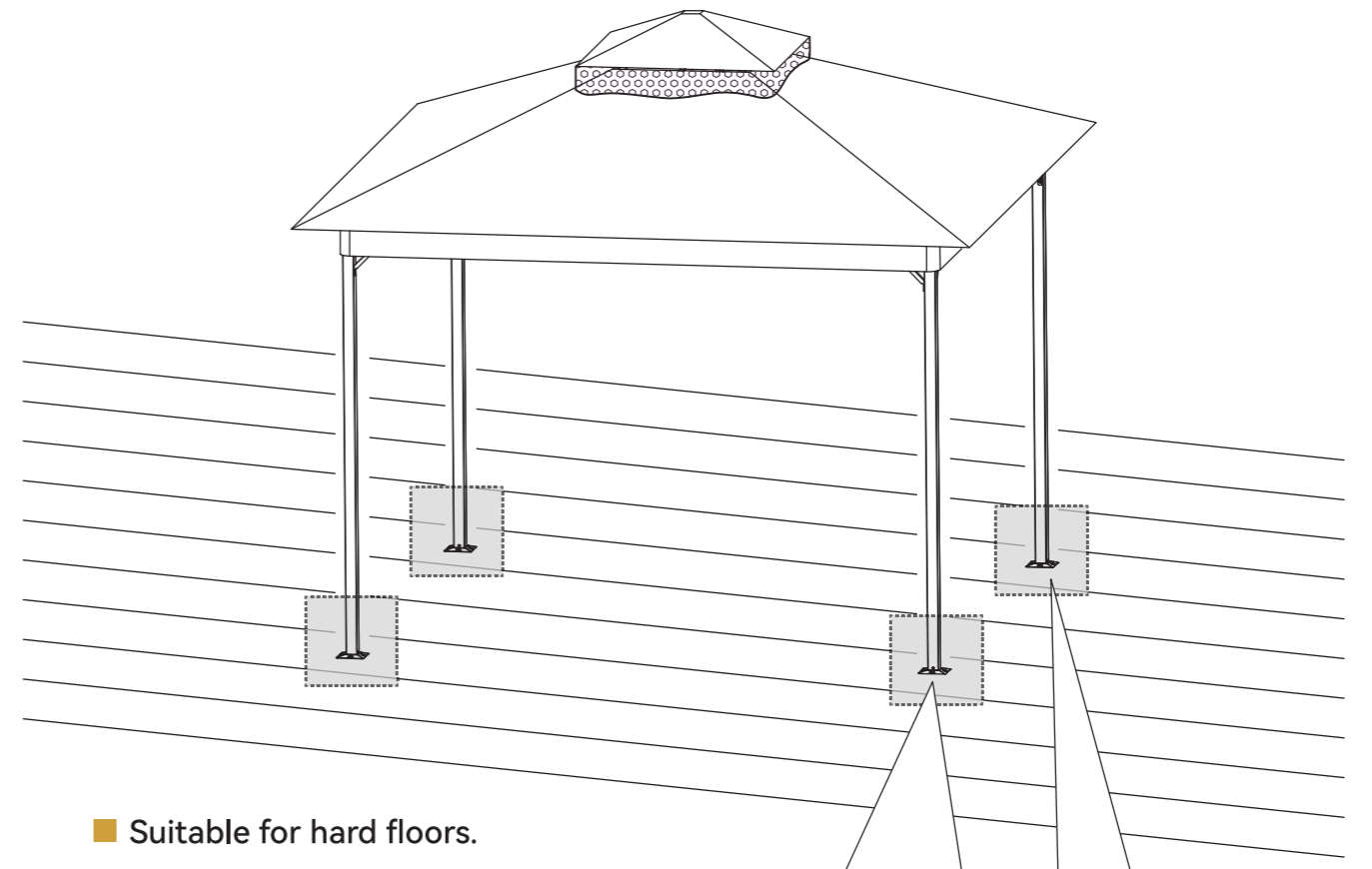
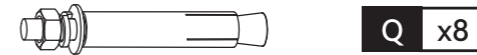
STRENGTHEN FRAME STABILITY



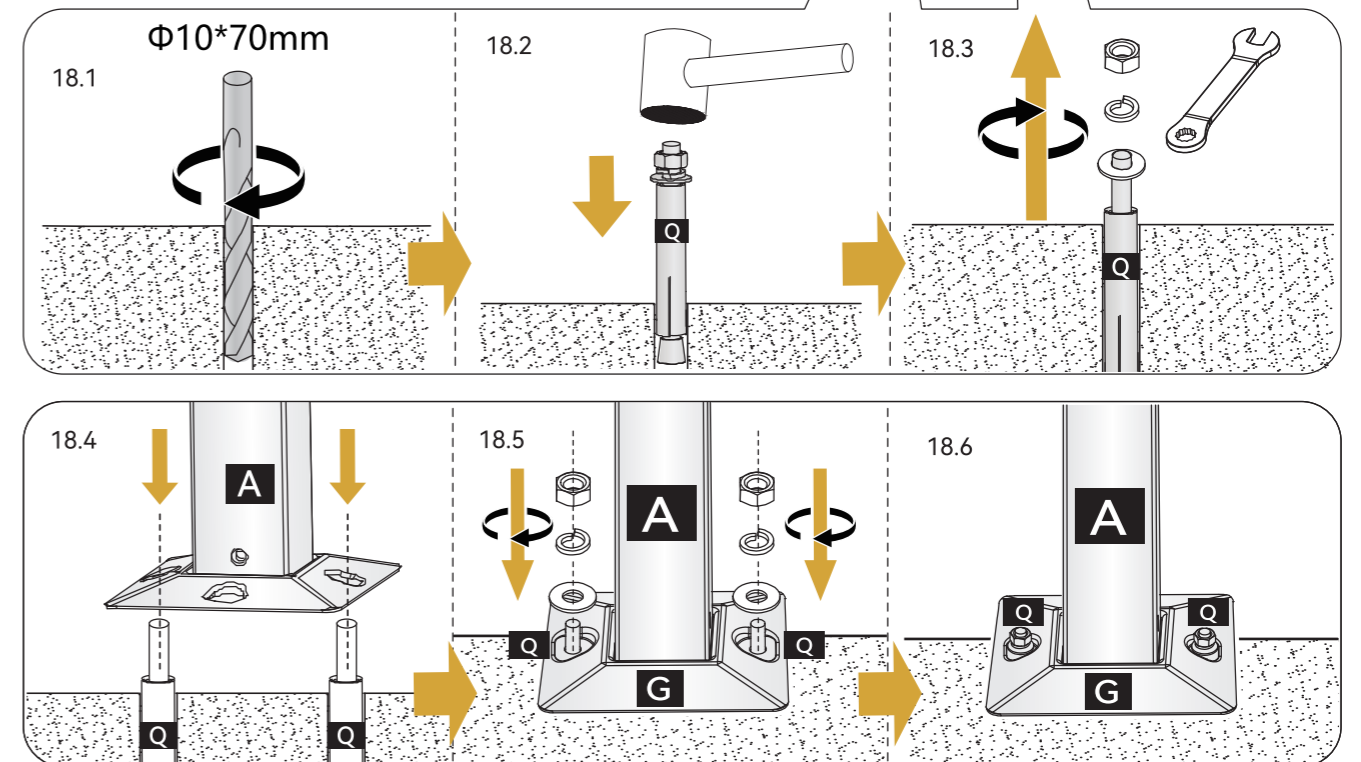
■ Suitable for soft ground such as grass.

STEP 18

STRENGTHEN FRAME STABILITY



■ Suitable for hard floors.



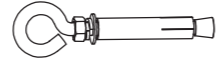
STEP

19

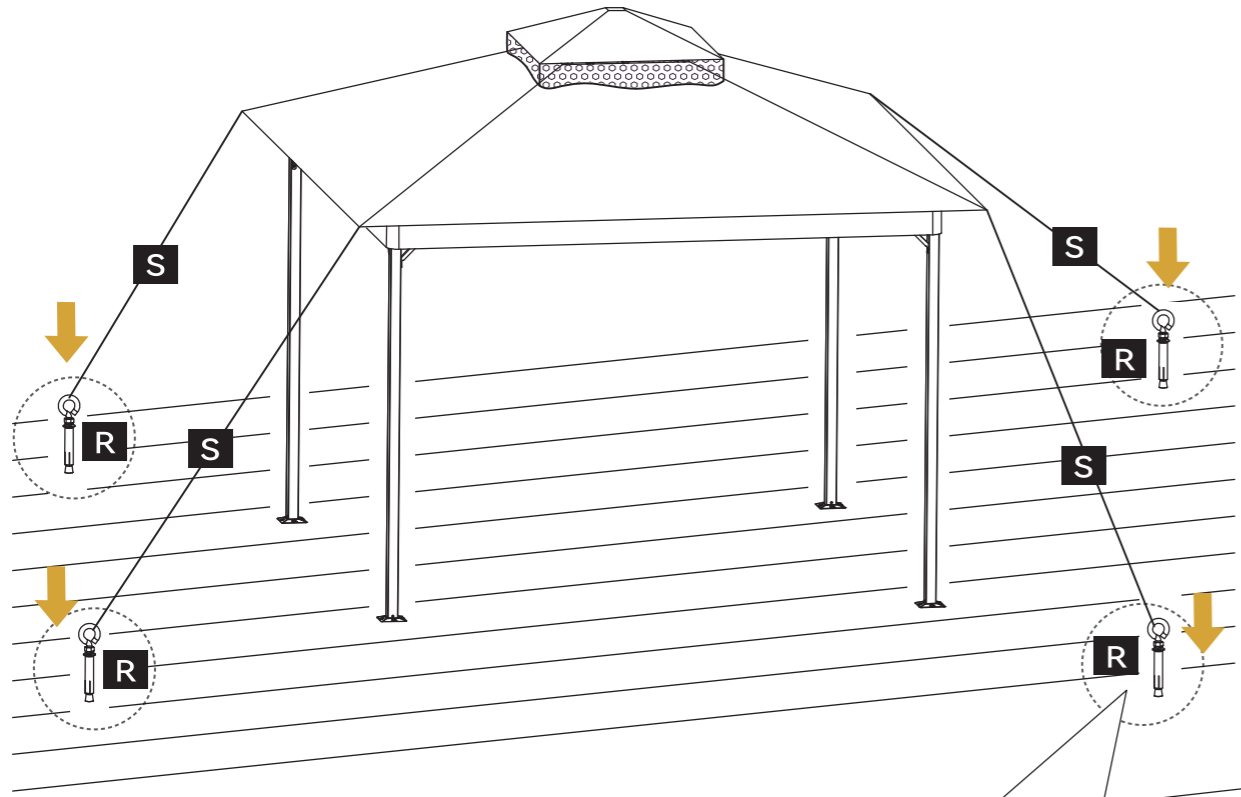
STRENGTHEN FRAME STABILITY



S x4



R x4



■ Suitable for hard floors.

